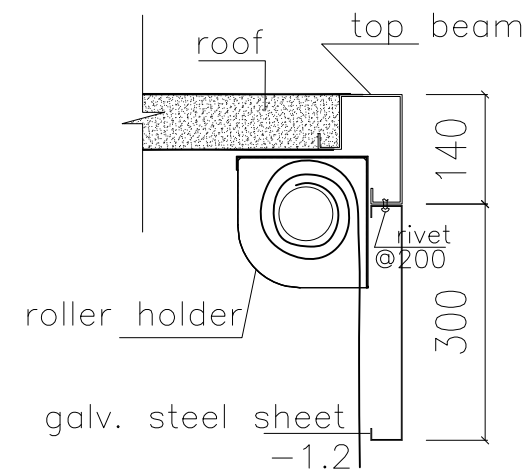


floor layout



1-1
covering plate

- D3 roller door: W2835mm*H2300mm
- Ext. wall 75mmEPS sandwich panel, two sides 0.45mm steel sheet (white), EPS density12kg/m²
- Int. wall 50mmEPS sandwich panel, two sides 0.45mm steel sheet (white), EPS density12kg/m²
- Floor fiber cement board +PVC

版本 Rev.	修改內容 Description	日期 Date
------------	---------------------	------------



Zhejiang Putian integrated housing Co., Ltd.
 Hangzhou Zhonggu Architecture Design (Institute) Co., Ltd.

证书编号
Certificate No.

合作设计单位
Cooperative Designer

工序 Process	签名 Signature	日期 Date
---------------	-----------------	------------

审 定
Authorized By

审 核
Verified By

项目负责人
Project Leader

校 对
Checked By

设 计
Designed By

制 图
Drawn By

设计签字
Engineer Signature

出图签字
Drawing Release Signature

项目名称
Project Name

20ft container with 2rooms

图 名
Title

PLAN

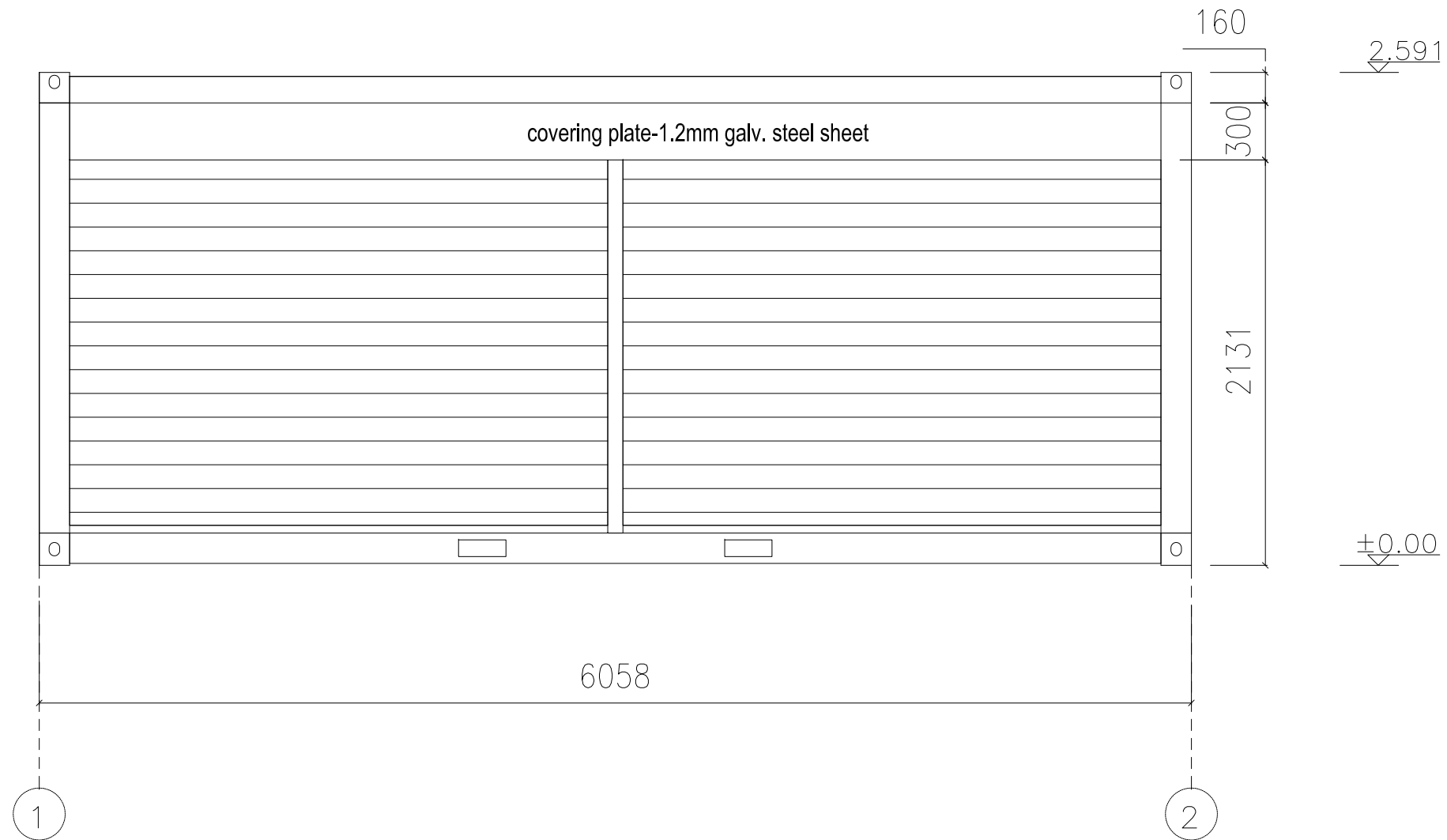
工程编号
Project No.

PT170310 专业 建筑

比例
Scale

未盖技术出图章 本图纸无效
This drawing is valid only after being stamped and released by the R&D

Copyright 2016.
 本圖版權歸浙江普天集成房屋有限公司所有，除本工程外對本圖的任何其他用途和複製，必須獲得本公司的書面許可。
 THE OWNERSHIP OF THE COPYRIGHT IN THIS DRAWING REMAINS BY ZHEJIANG PUTIAN INTEGRATED HOUSING CO.,LTD. WRITTEN CONSENT MUST BE OBTAINED BEFORE ANY USE OR REPRODUCTION OF THE DRAWING.



1~2 grid elevation

版本 Rev.	修改内容 Description	日期 Date
------------	---------------------	------------



Zhejiang Putian integrated housing Co., Ltd.
 Hangzhou Zhonggu Architecture Design (Institute) Co., Ltd.

证书编号

合作设计单位
Cooperative Designer

工序 Process	签名 Signature	日期 Date
---------------	-----------------	------------

审 定
Authorized By

审 核
Verified By

项目负责人
Project Leader

校 对
Checked By

设 计
Designed By

制 图
Drawn By

设计签字
Engineer Signature

出图签字
Drawing Release Signature

项目名称
Project Name

20ft container with 2rooms

图 名
Title

ELEVATION

工程编号
Project No.

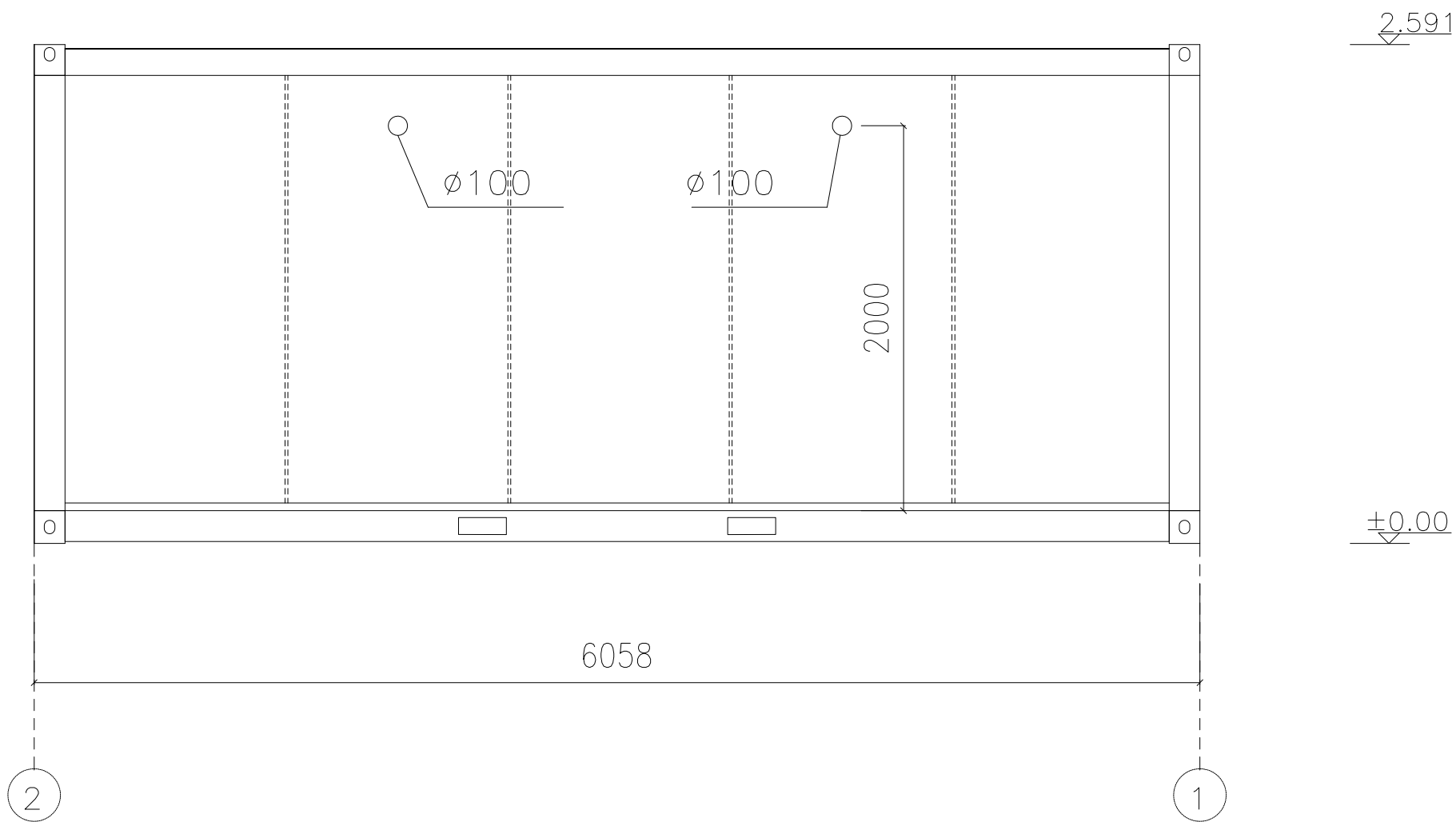
PT170310

专业
Major

建筑

比例
Scale

未盖技术出图章 本图纸无效
This drawing is valid only after being stamped and released by the R&D



2~1 grid elevation

版本 Rev.	修改內容 Description	日期 Date
------------	---------------------	------------



Zhejiang Putian integrated housing Co., Ltd.
 Hangzhou Zhongou Architecture Design (Institute) Co., Ltd.

证书等级
Certificate Level

合作设计单位
Cooperative Designer

工序 Process	签名 Signature	日期 Date
---------------	-----------------	------------

审 定
Authorized By

审 核
Verified By

项目负责人
Project Leader

校 对
Checked By

设 计
Designed By

绘 图
Drawn By

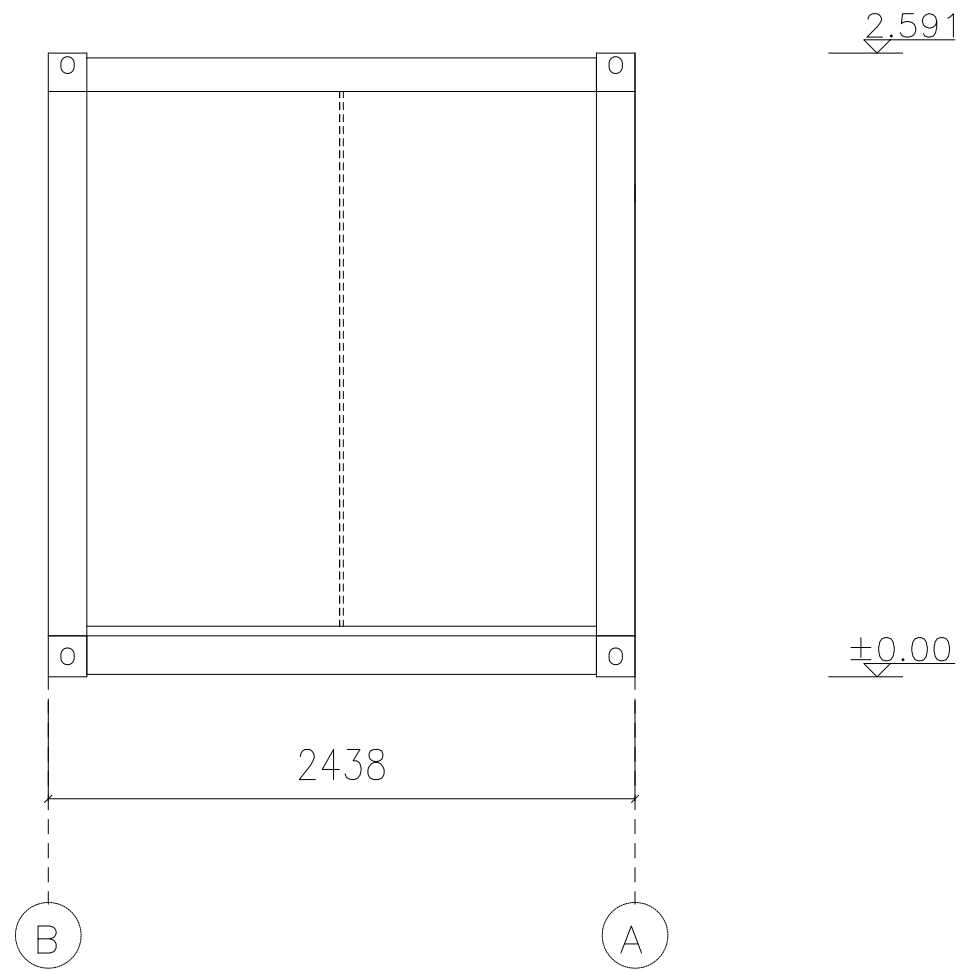
设计签字
Engineer Signature

工程编号
Project No. PT170310

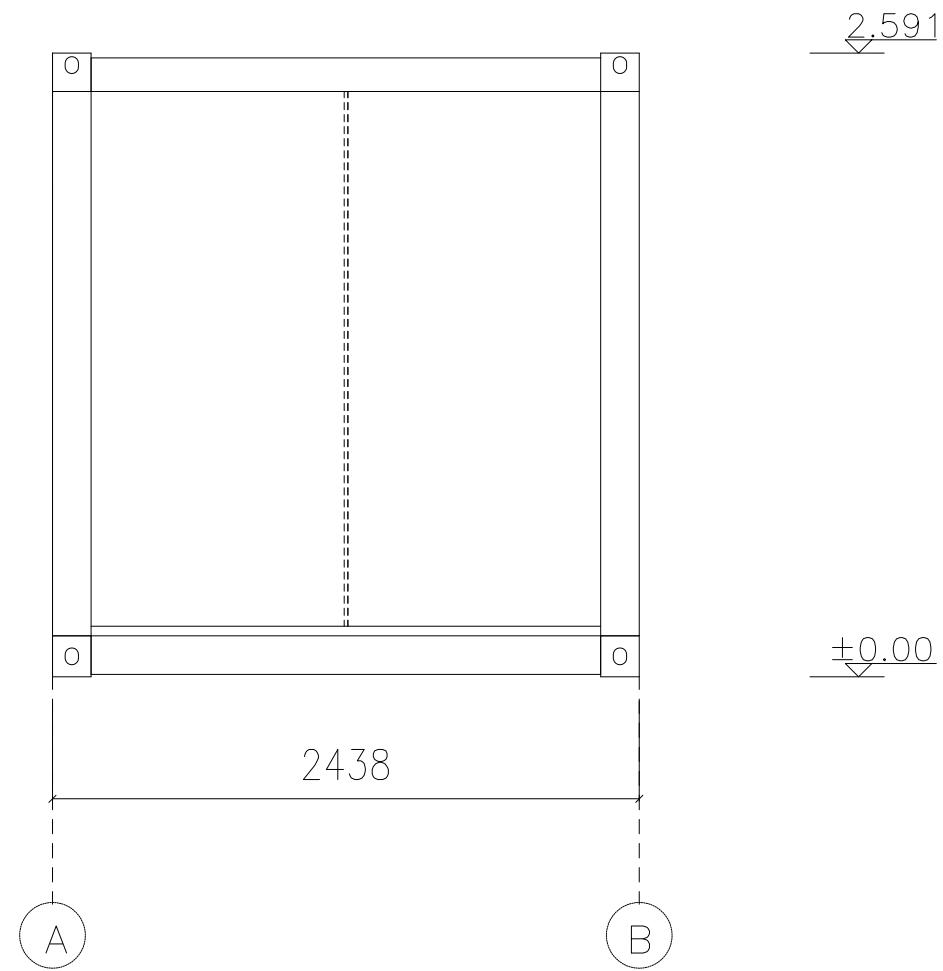
专业
Major 建筑

比例
Scale

未盖技术出图章 本图纸无效
This drawing is valid only after being stamped and released by the R&D



B~A grid elevation



A~B grid elevation

版本 Rev.	修改内容 Description	日期 Date
------------	---------------------	------------



Zhejiang Putian integrated housing Co., Ltd.
 Hangzhou Zhonggu Architecture Design (Institute) Co., Ltd.

证书等级

证书编号

合作设计单位
 Cooperative Designer

工序 Process	签名 Signature	日期 Date
---------------	-----------------	------------

审 定
 Authorized By

审 核
 Verified By

项目负责人
 Project Leader

校 对
 Checked By

设 计
 Designed By

制 图
 Drawn By

执业签章
 Engineer Signature

出图签章
 Drawing Release Signature

项目名称
 Project Name

20ft container with 2rooms

图 名
 Title

ELEVATION

工程编号
 Project No.

PT170310

专业
 Major

建筑

比例
 Scale

图 号
 Drawing No.

未盖技术出图章 本图纸无效
 This drawing is valid only after being stamped and released by the R&D